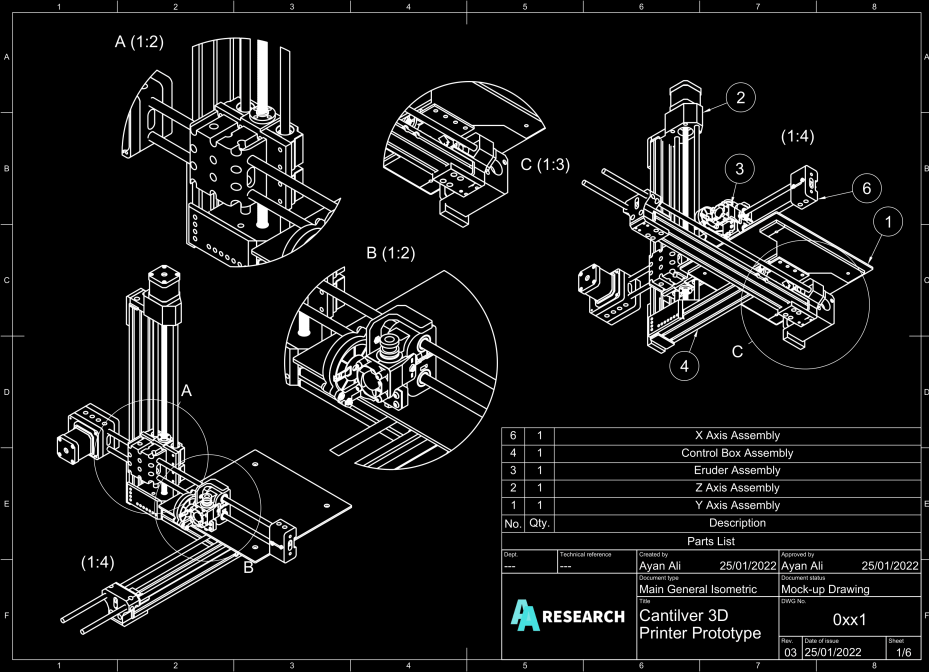


The logo features two overlapping, stylized letters 'A' on the left. The front 'A' is a vibrant red, while the back 'A' is a darker, muted red. To the right of these letters, the word 'RESEARCH' is written in a bold, black, sans-serif typeface.

AA RESEARCH

This version of the logo is identical to the one above, showing two overlapping 'A's (one red, one dark red) followed by the word 'RESEARCH' in bold black text.

AA RESEARCH

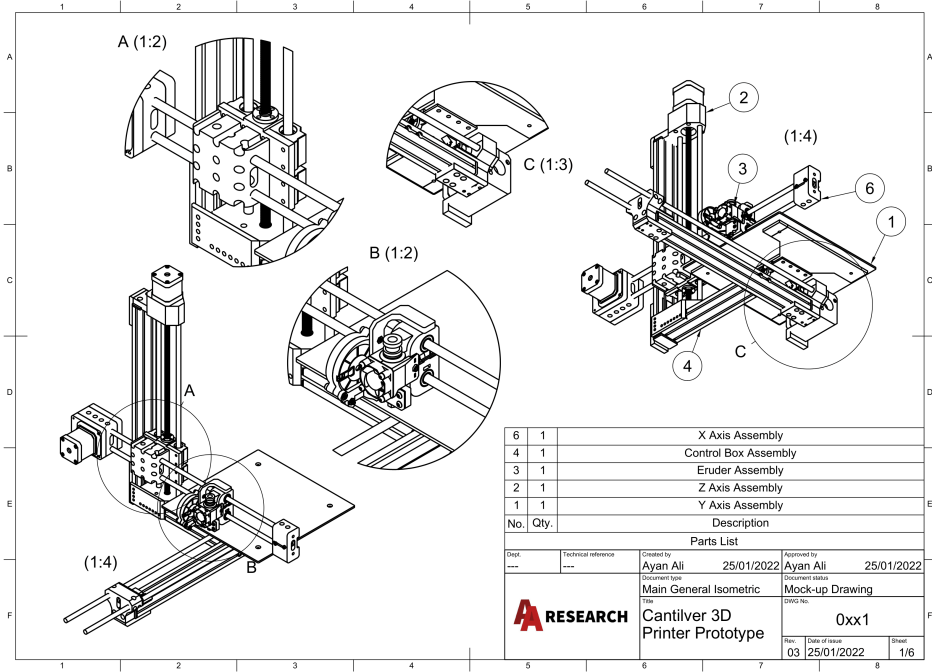


6	1	X Axis Assembly
4	1	Control Box Assembly
3	1	Eruder Assembly
2	1	Z Axis Assembly
1	1	Y Axis Assembly
No.	Qty.	Description

Parts List

Dept.	Technical reference	Created by	25/01/2022	Approved by	25/01/2022
---	---	Ayan Ali		Ayan Ali	
		Document type	Document status		
		Main General Isometric	Mock-up Drawing		
		Title	DWG No.		
		Cantilver 3D Printer Prototype	0xx1		
Rev.	Date of issue	Sheet			
03	25/01/2022	1/6			





6	1	X Axis Assembly
4	1	Control Box Assembly
3	1	Eruder Assembly
2	1	Z Axis Assembly
1	1	Y Axis Assembly
No.	Qty.	Description

Parts List

Dept.	Technical reference	Created by	25/01/2022	Approved by	25/01/2022
---	---	Ayan Ali		Ayan Ali	
		Document type	Document status		
		Main General Isometric	Mock-up Drawing		
		Title	DWG No.		
		Cantilver 3D Printer Prototype	0xx1		
Rev.	Date of issue	Sheet			
03	25/01/2022	1/6			

