

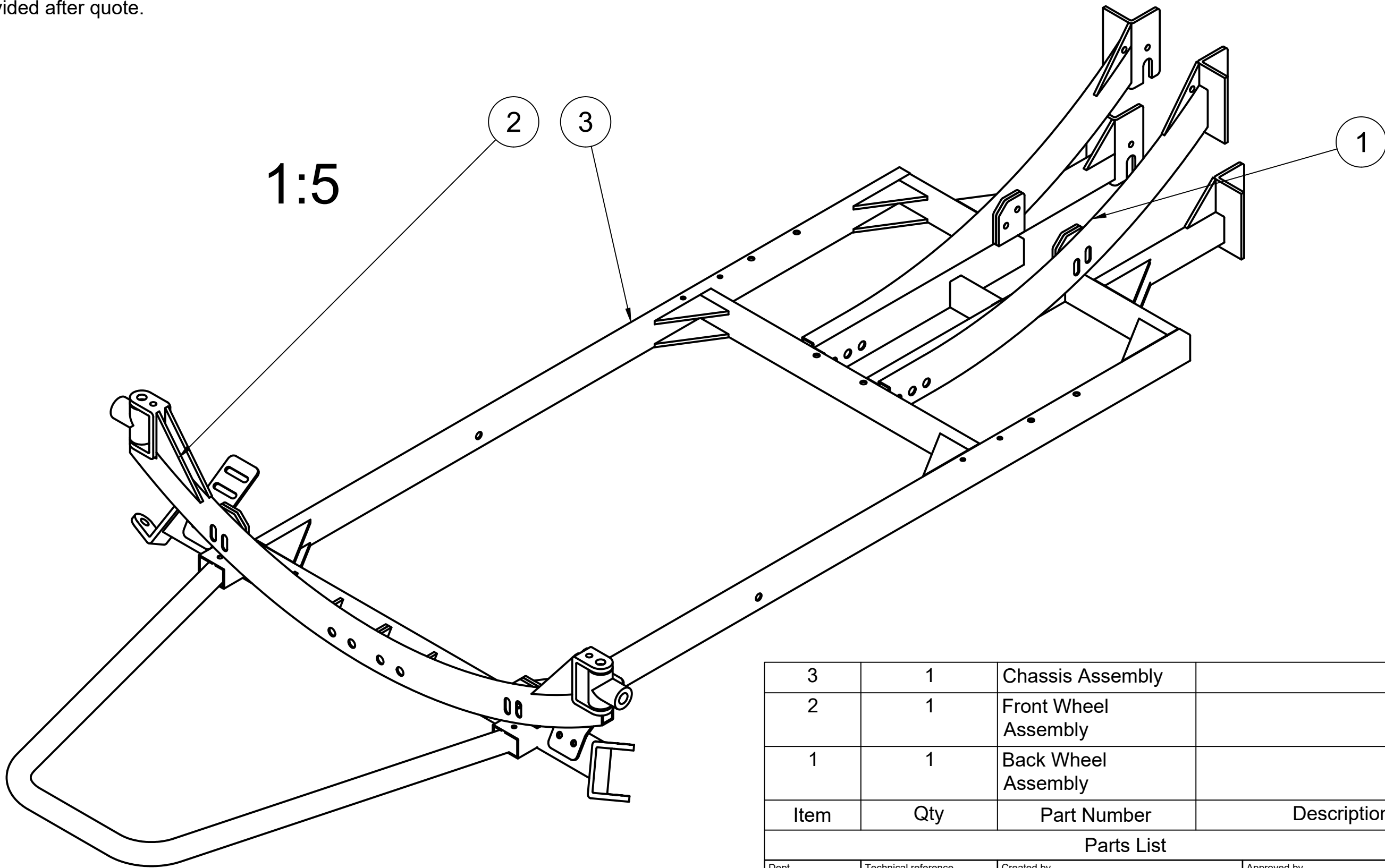
Exact measurements of components are to be provided after quote.

Parts List			
Item	Qty	Part Number	Description
1	1		Back Wheel Assembly
2	1		Front Wheel Assembly
3	1		Chassis Assembly

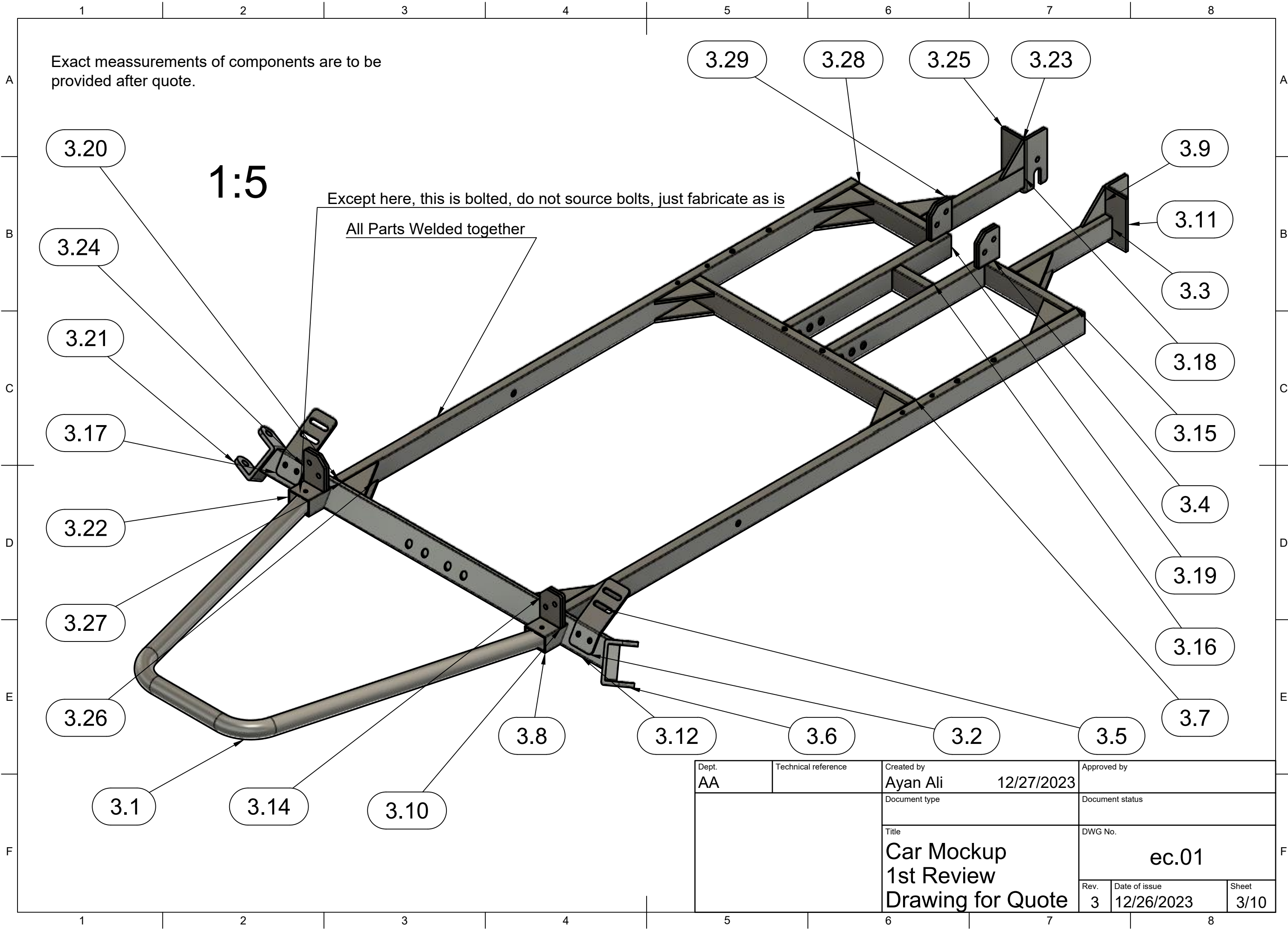
Dept. AA	Technical reference	Created by Ayan Ali	12/27/2023	Approved by
		Document type	Document status	
		Title Car Mockup 1st Review Drawing for Quote	DWG No. ec.01	
Rev.	Date of issue	Sheet		
3	12/26/2023	1/10		

Exact measurements of components are to be provided after quote.

1:5



3	1	Chassis Assembly	
2	1	Front Wheel Assembly	
1	1	Back Wheel Assembly	
Item	Qty	Part Number	Description
Parts List			
Dept. AA	Technical reference	Created by Ayan Ali 12/27/2023	Approved by
		Document type	Document status
		Title Car Mockup 1st Review Drawing for Quote	DWG No. ec.01
Rev.	Date of issue	Sheet	
3	12/26/2023	2/10	



Exact measurements of components are to be provided after quote.

1:5

Except here, this is bolted, do not source bolts, just fabricate as is

All Parts Welded together

3.29 3.28 3.25 3.23

3.20

3.9

3.24

3.11

3.21

3.3

3.17

3.18

3.22

3.15

3.27

3.4

3.26

3.19

3.8

3.16

3.12

3.6

3.2

3.5

3.7

3.1

3.14

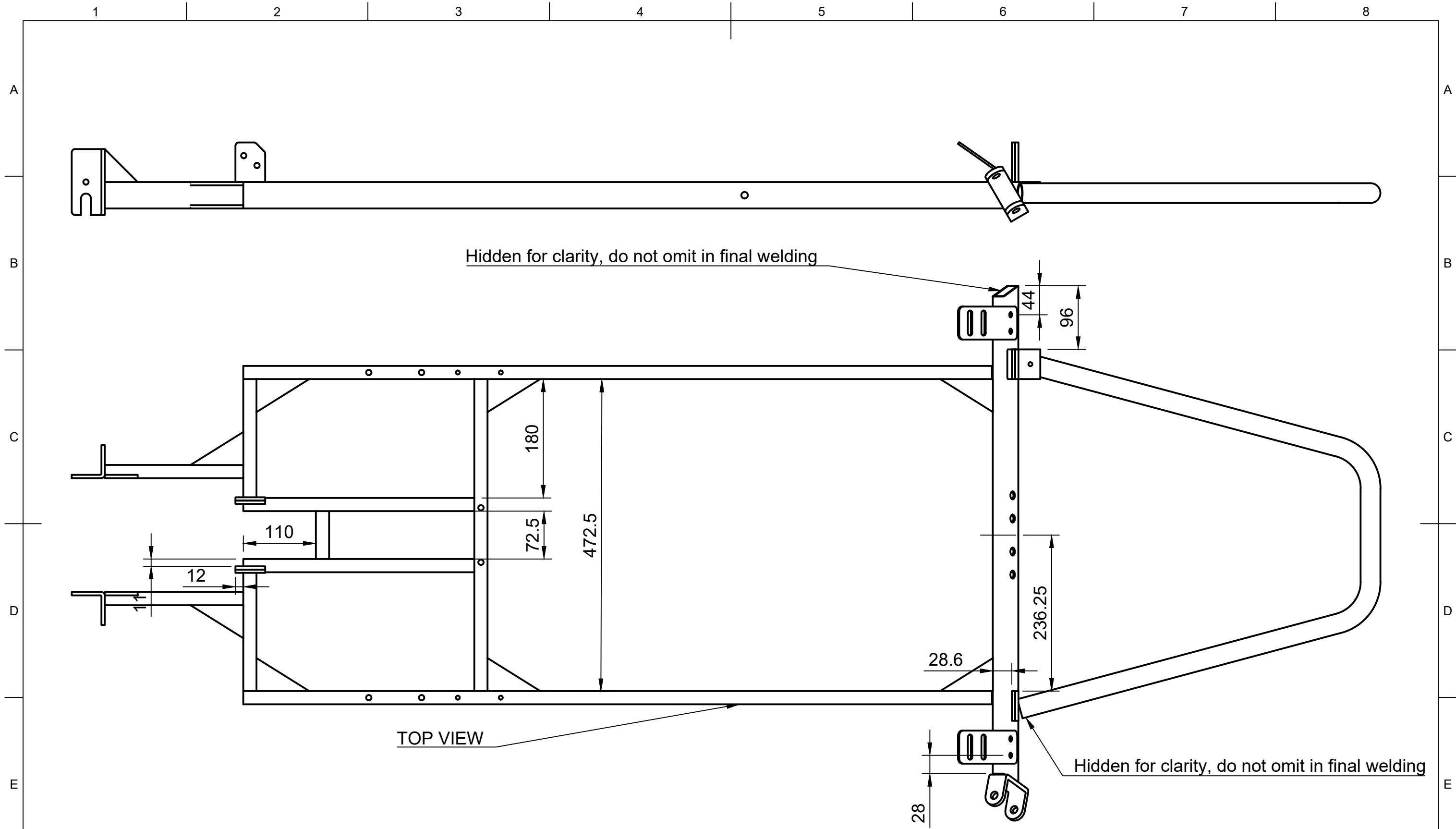
3.10

Dept. AA	Technical reference	Created by Ayan Ali	12/27/2023	Approved by
		Document type	Document status	
		Title Car Mockup 1st Review Drawing for Quote	DWG No. ec.01	
Rev.	3	Date of issue	12/26/2023	Sheet
				3/10

Parts List				Parts List			
Item	Qty	Part Number	Description	Item	Qty	Part Number	Description
3.17	1	Front Rollcage Bracket(Mirror)		3	1	Chassis Assembly	
3.18	1	210mm 2040 BoxTube(Mirror)		3.1	1	Front Bumper	
3.19	1	350mm 2040 BoxTube(Mirror)		3.2	1	Front Rollcage Bracket	
3.20	1	1160mm 2040 BoxTube(Mirror)		3.3	1	210mm 2040 BoxTube	
3.21	1	Old Wheel Mount 20 Degree Incline(Mirror)		3.4	1	350mm 2040 BoxTube	
3.22	1	Front Bumper Mount 3045 BoxTube(Mirror)		3.5	1	1160mm 2040 BoxTube	
3.23	1	50x50 Brace Plate(Mirror)		3.6	1	Old Wheel Mount 20 Degree Incline	
3.24	2	New Wheel Suspension Constrictor Plate(Mirror)		3.7	1	472.5mm 2040BoxTube	
3.25	1	Wheel Mount(Mirror)		3.8	1	Front Bumper Mount 3045 BoxTube	
3.26	1	100x60 Brace Plate(Mirror)		3.9	1	50x50 Brace Plate	
3.27	7	80x50 Brace Plate(Mirror)		3.10	2	New Wheel Suspension Constrictor Plate	
3.28	1	180mm 2040 BoxTube(Mirror)		3.11	1	Wheel Mount	
3.29	4	New Wheel Suspension Constrictor		3.12	1	30 Degree 2045 BoxTube	
				3.13	1	100x60 Brace Plate	
				3.14	7	80x50 Brace Plate	
				3.15	1	180mm 2040 BoxTube	
				3.16	1	72.5mm 2040 BoxTube	

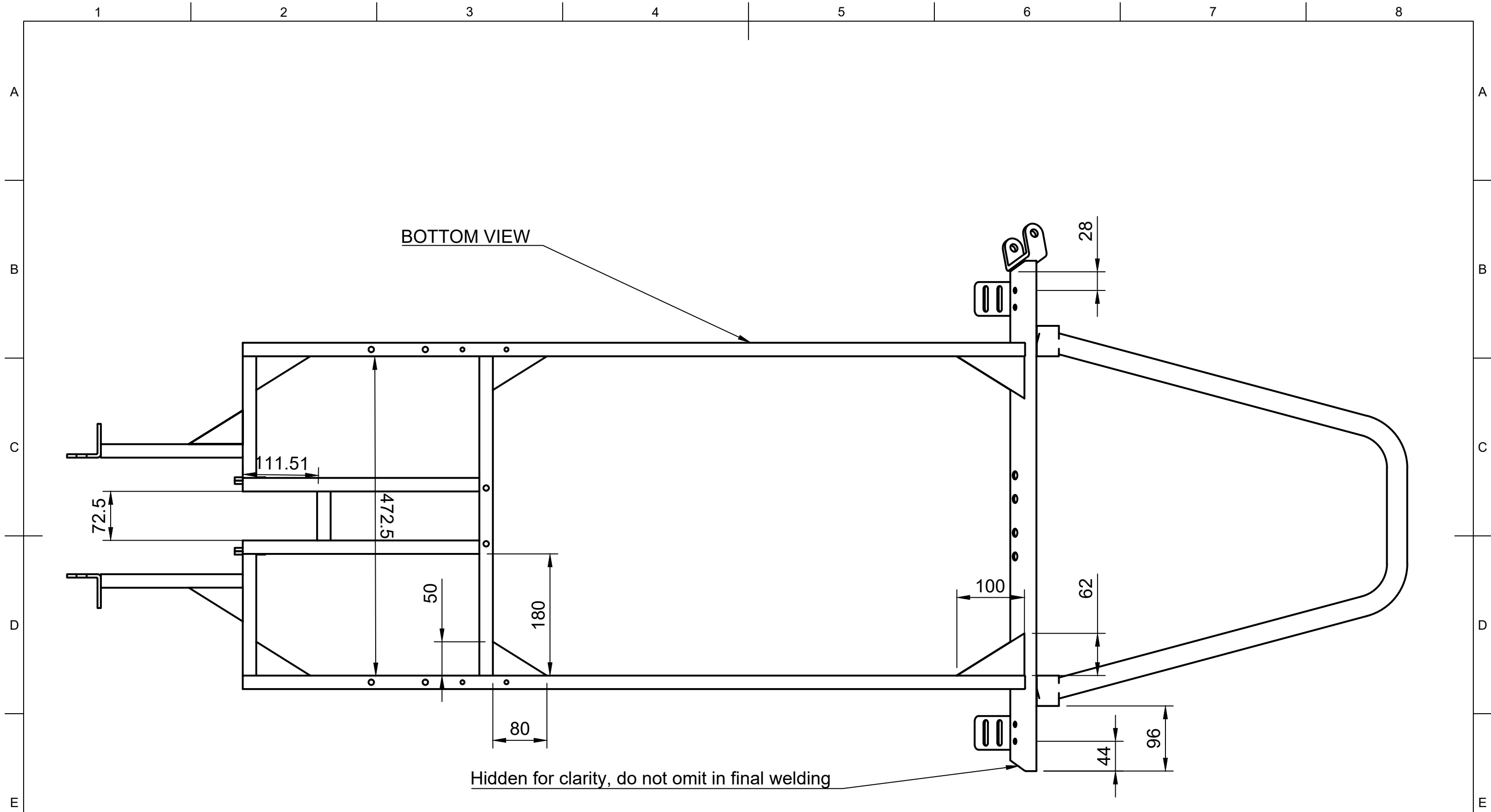
Exact measurements of components are to be provided after quote.

Dept. AA	Technical reference	Created by Ayan Ali 12/27/2023	Approved by
		Document type	Document status
		Title Car Mockup 1st Review Drawing for Quote	DWG No. ec.01
	Rev. 3	Date of issue 12/26/2023	Sheet 4/10



Exact measurements of components are to be provided after quote.

Dept. AA	Technical reference	Created by Ayan Ali	12/27/2023	Approved by
		Document type	Document status	
		Title Car Mockup 1st Review Drawing for Quote	DWG No. ec.01	
Rev.	Date of issue	Sheet		
3	12/26/2023	5/10		

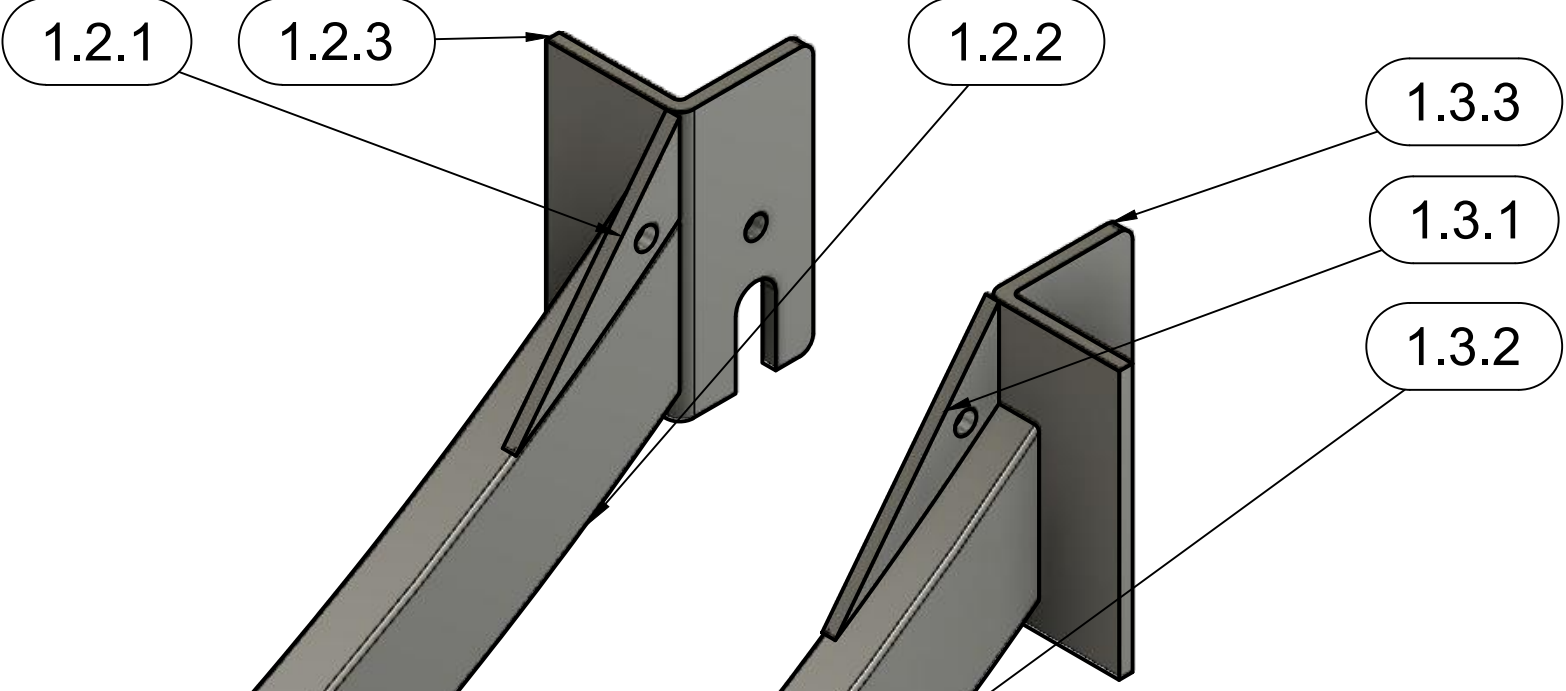


Exact measurements of components are to be provided after quote.

Dept. AA	Technical reference	Created by Ayan Ali	12/27/2023	Approved by
		Document type	Document status	
		Title Car Mockup 1st Review Drawing for Quote	DWG No. ec.01	
		Rev. 3	Date of issue 12/26/2023	Sheet 6/10

Exact measurements of components are to be provided after quote.

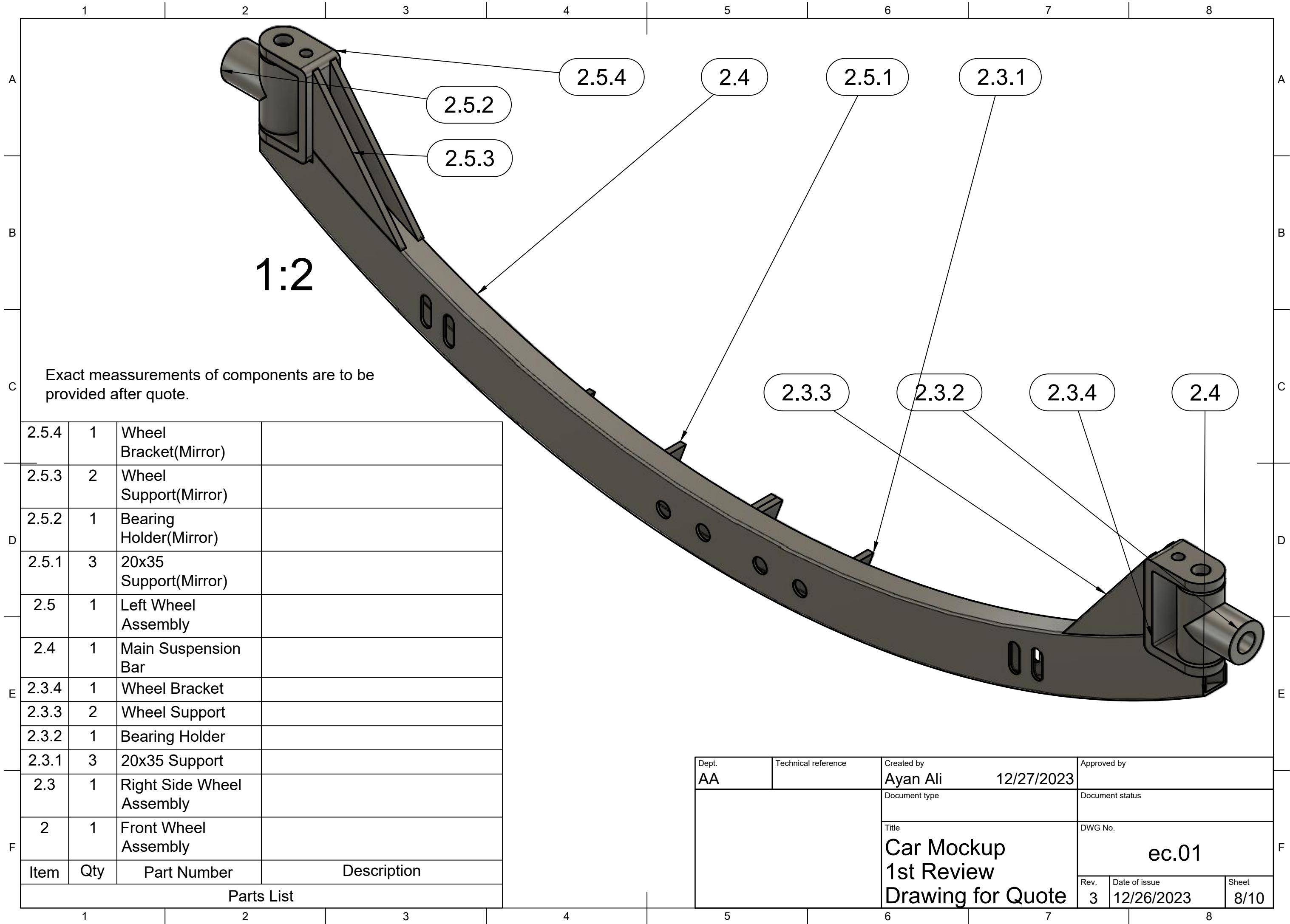
1:2



1.3.3	1	Wheel Mount (2)	
1.3.2	1	Arm Length (1)	
1.3.1	1	Support Bracket (1)	
1.3	1	Rear Suspension Arm (1)	
1.2.3	1	Wheel Mount (1)	
1.2.2	1	Arm Length	
1.2.1	1	Support Bracket	
1.2	1	Rear Suspension Arm	
1	1	Back Wheel Assembly	
Item	Qty	Part Number	Description

Parts List

Dept. AA	Technical reference	Created by Ayan Ali	12/27/2023	Approved by
		Document type	Document status	
		Title Car Mockup 1st Review Drawing for Quote	DWG No. ec.01	
Rev.	3	Date of issue	12/26/2023	Sheet 7/10



1:2

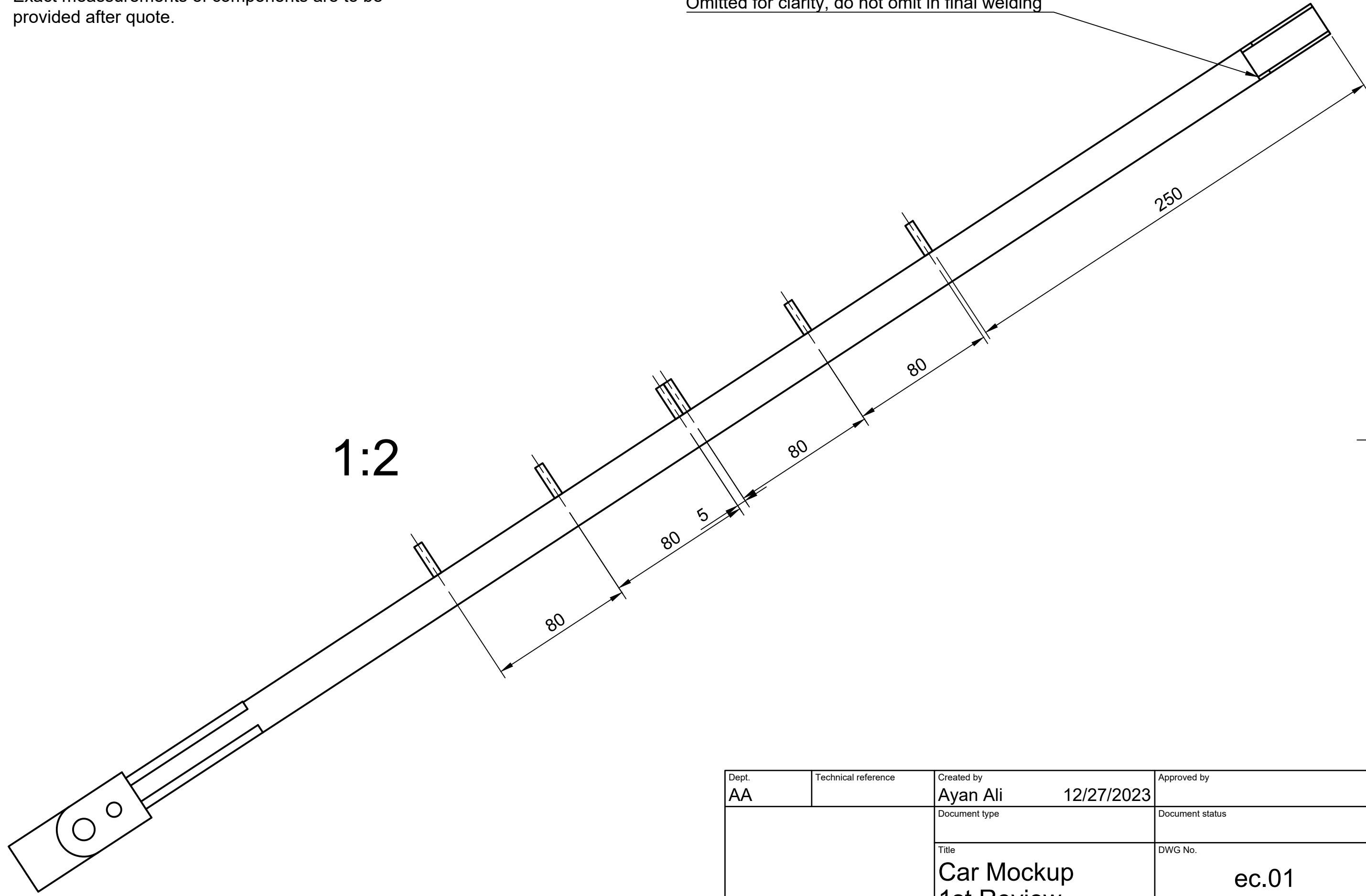
Exact measurements of components are to be provided after quote.

2.5.4	1	Wheel Bracket(Mirror)	
2.5.3	2	Wheel Support(Mirror)	
2.5.2	1	Bearing Holder(Mirror)	
2.5.1	3	20x35 Support(Mirror)	
2.5	1	Left Wheel Assembly	
2.4	1	Main Suspension Bar	
2.3.4	1	Wheel Bracket	
2.3.3	2	Wheel Support	
2.3.2	1	Bearing Holder	
2.3.1	3	20x35 Support	
2.3	1	Right Side Wheel Assembly	
2	1	Front Wheel Assembly	
Item	Qty	Part Number	Description
Parts List			

Dept. AA	Technical reference	Created by Ayan Ali	12/27/2023	Approved by
		Document type	Document status	
		Title Car Mockup 1st Review Drawing for Quote	DWG No. ec.01	
		Rev. 3	Date of issue 12/26/2023	Sheet 8/10

Exact measurements of components are to be provided after quote.

Omitted for clarity, do not omit in final welding

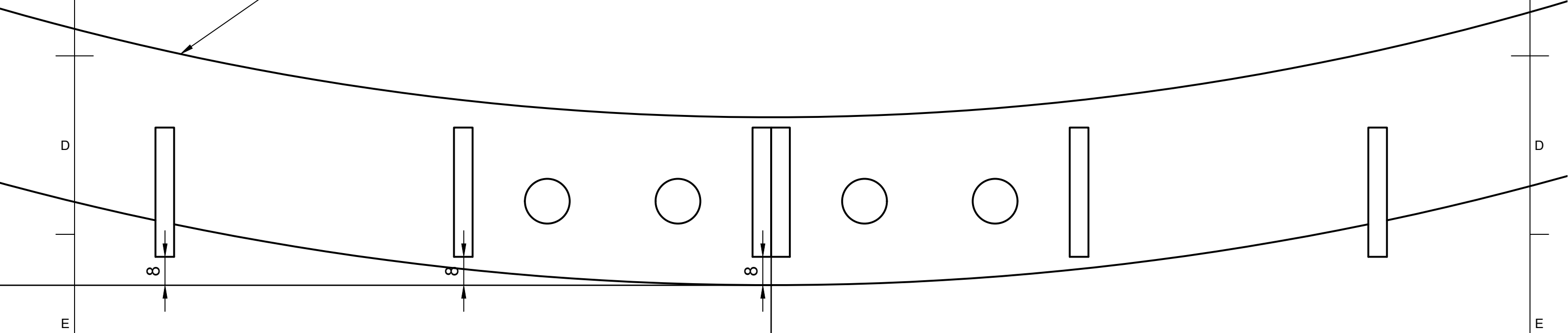


Dept. AA	Technical reference	Created by Ayan Ali	12/27/2023	Approved by
		Document type	Document status	
		Title Car Mockup 1st Review Drawing for Quote	DWG No. ec.01	
Rev.	3	Date of issue	12/26/2023	Sheet
				9/10

Exact measurements of components are to be provided after quote.

Center section of design given to clarify location of support brackets

1:1



Dept. AA	Technical reference	Created by Ayan Ali	12/27/2023	Approved by
		Document type	Document status	
		Title Car Mockup 1st Review Drawing for Quote	DWG No. ec.01	
Rev.	3	Date of issue	12/26/2023	Sheet
				10/10